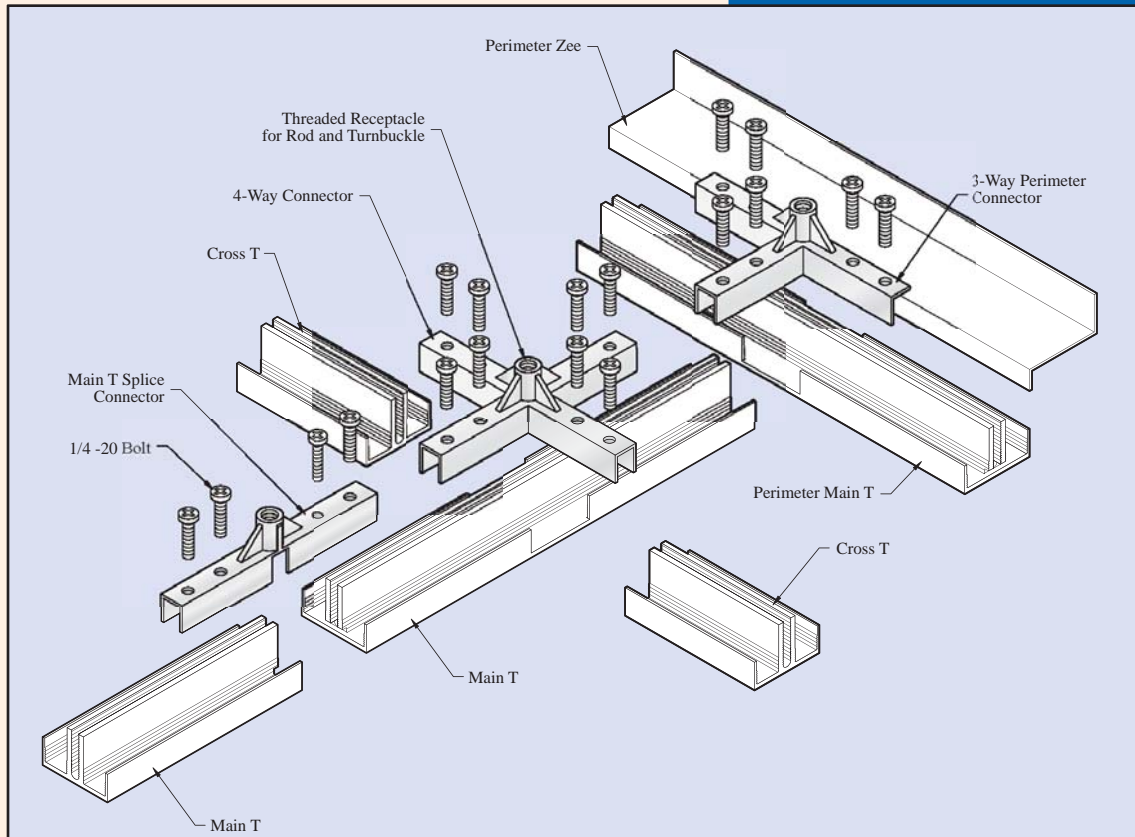


Easy to Install Dead Level Superior Load Bearing Capability



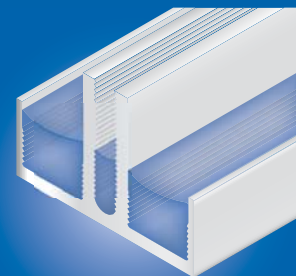
Our Gel-Seal T-Grid is a state-of-the-art system offering significant advantages for maintaining tight-tolerances in higher class cleanroom environments. The gel forms a secure, airtight barrier against dust and moisture for sensitive cleanroom requirements.

Clean Rooms International's suspension hardware for 2" Heavy Duty T-Grid Systems is designed and manufactured to meet the exacting standards of the cleanroom industry.

Gasket and Gel Seal Style suspension hardware is interchangeable and includes a series of intersection connectors and turnbuckles for suspending the T-Grid System from the building structure.

Sprinkler Penetration Sleeves, Ionization Emitters and seismic sway control can be incorporated into the system.

Consult with our factory for more information.

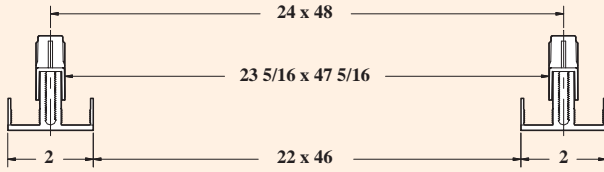


2" Gel Seal

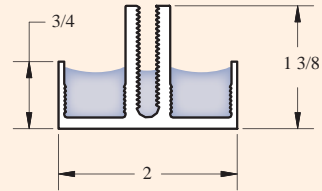
White Powder Coat Finish

Gel Seal T-Grid/T-Bar Data Sheet

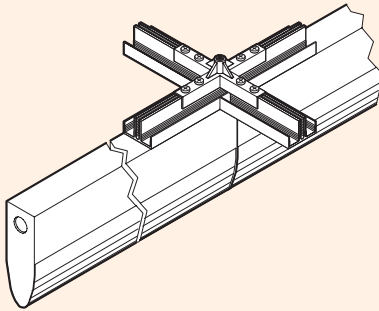
Standard Opening Size 24" x 48" o.c.



Main T

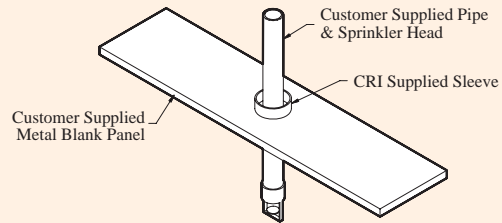


Teardrop Illustration



Standard 2" Teardrop Light Fixtures can be Attached to the Face of the T-Bar

Sprinkler Penetration Sleeve



Gel Seal Style T-Grid Parts for 2" T-bar

Part No.	Description	Length	Web Depth	Notch Spacing	Notched Sides	Flange Width	Weight Per LF	Pieces Per Carton	Linear Feet Per Carton
147504	Main T	12'	1 3/8"	24" o.c.	2	2"	0.85 lb.	12	144
147506	Cross T	4'	1 3/8"	N/A	N/A	2"	0.85 lb.	12	48
147507	Cross T	2'	1 3/8"	N/A	N/A	2"	0.85 lb.	12	24
147503	Perimeter T	12'	1 3/8"	48" o.c.	1	2"	0.85 lb.	12	144
147505	Perimeter T	12'	1 3/8"	24" o.c.	1	2"	0.85 lb.		144

Urethane Gel: Call the factory for specific information

Load Specifications for Gel Seal Style T-Grid System

Deflection Formula	L/360	L/180	L/360
Hanger Spacing (Span)	48"	48"	48"
Main Tee Spacing	48"	48"	48"
Maximum Point Load (LBS.)	296	414	629
Maximum Uniform Load (LBS./LF)	74	78.5	314.5
Applied Load (LBS./SF)	18.5	19.6	78.6
Deflection at mid-span	1/8"	1/4"	1/16"

Hardware is Interchangeable

Gasket and Gel Seal Style suspension hardware is interchangeable and includes a series of intersection connectors and turnbuckles for suspending the T-Grid System from the building structure.

Superior Load Bearing Capacity

Connectors are designed to accommodate standard 2' x 4' openings as well as unusual configurations. The zinc castings are designed with an integral 3/8" x 3/4" high threaded tower providing a strong load bearing capability. The tower accepts our 3/8" #148038 Right Hand/Left Hand stud which is connected to a #148039 threaded turnbuckle. A preferred method of suspension from the building structure is all-thread rod attached to the turnbuckles as illustrated.

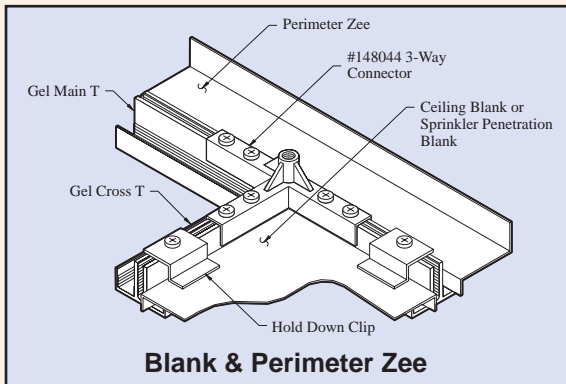
Seismic Zone Applications

For applications in seismic zones, the all-thread rod serves as a compression strut. Seismic sway is controlled by attaching splay wires to eye bolts secured to the Intersection Connectors.

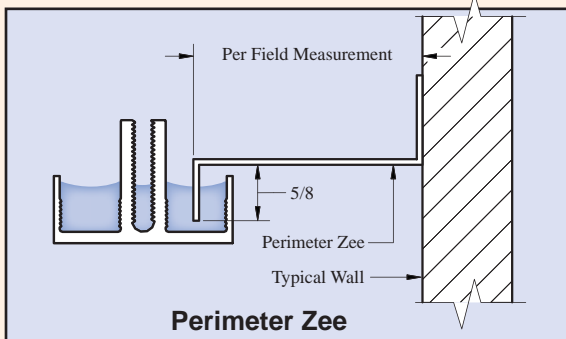
Local seismic codes vary. We recommend consulting with local authorities for clarification.

Perimeter Zee

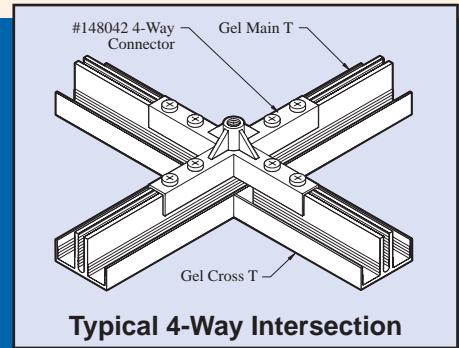
Our exclusive Perimeter Zee serves as a closure trim piece between the wall and adjacent T-Bar, resulting in properly sized openings for installing SAM units, lights or metal ceiling panels.



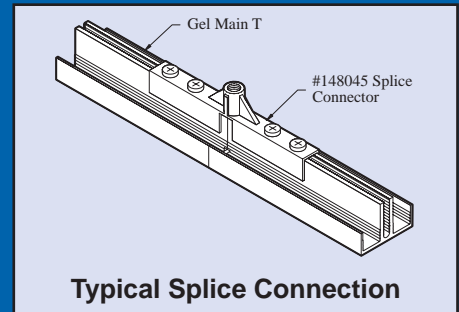
Blank & Perimeter Zee



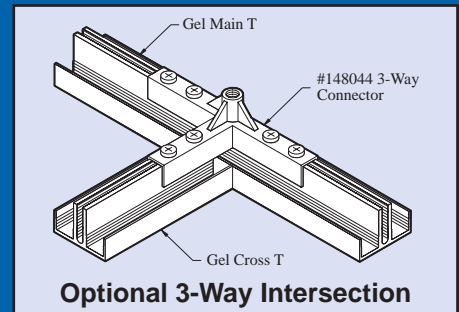
Perimeter Zee



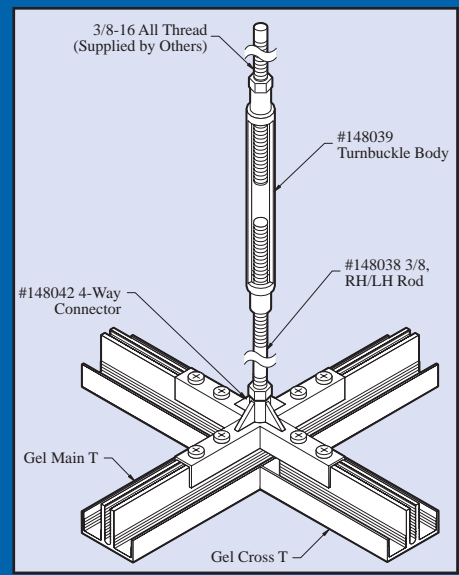
Typical 4-Way Intersection



Typical Splice Connection



Optional 3-Way Intersection



Shown with 3/8-16 Right Hand/Left Hand Threaded Rod and Turnbuckle body